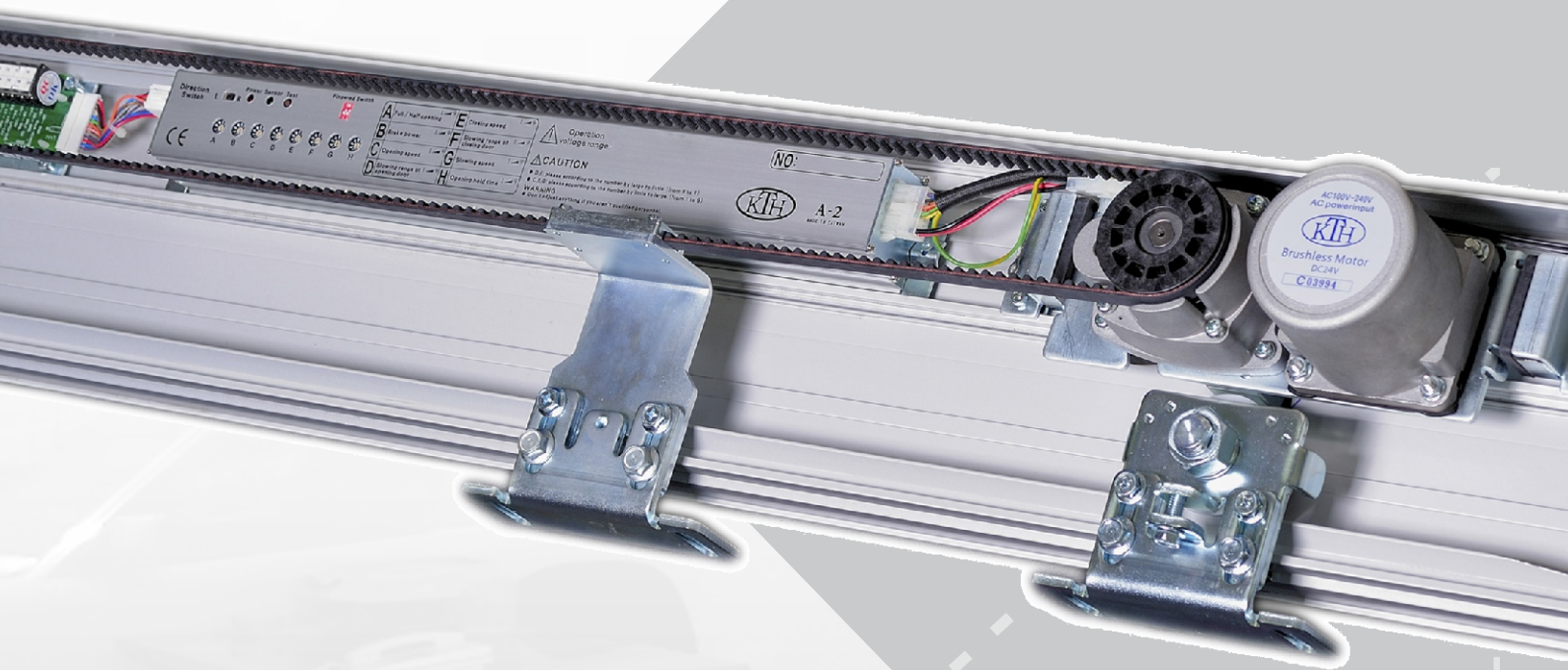


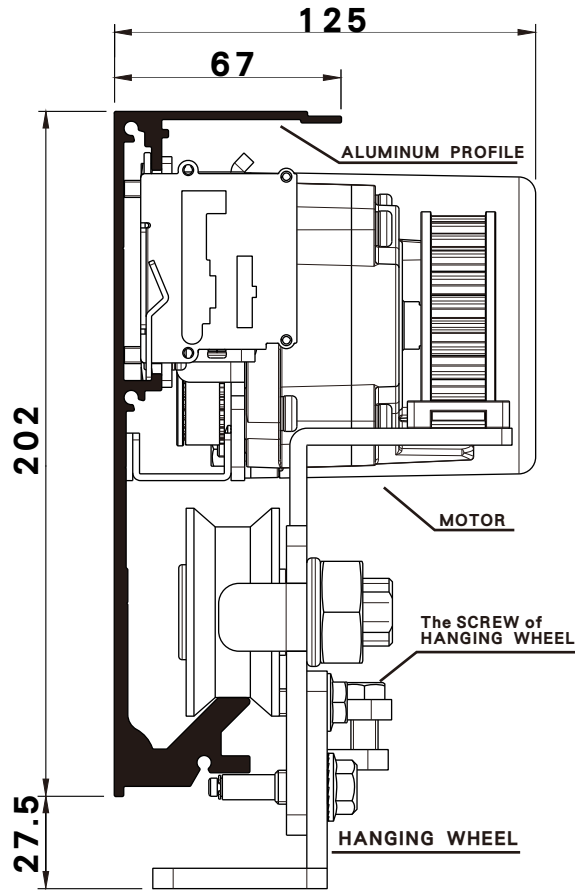
KTH A-2 **AUTOMATIC DOOR SYSTEM**



■ TABLE OF CONTENTS

| | |
|--|----|
| 1.SPECIFICATION&PROFILE | 1 |
| 2.COMPONENTS | 2 |
| 3.THE POSITION OF THE HANGING TWIN-WHEEL | 3 |
| 4.INSTALL THE RACK BELT | 4 |
| 5.LEGEND OF PART DRAWING | 5 |
| 6.TEST AND ADJUST | 6 |
| 7.ADJUST CONTROLLER | 7 |
| 8.WIRING DIAGRAM OF TH-100 | 8 |
| 9. TH-125 REMOTE CONTROL & TH-136 DIGITAL SWITCH | 9 |
| 10. HTP-21C SAFETY BEAM & HR942D SENSOR | 10 |
| 11. HR100-CT SENSOR | 11 |
| 12. HR94D1-C1SENSOR | 12 |
| 13. TH-201&TH-200LK LOCK | 13 |
| 14. TH-135-FUNCTION KEY SWITCH | 14 |

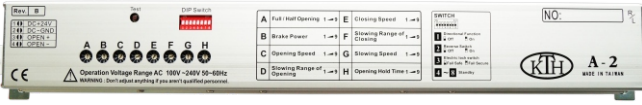
■ SPECIFICATION & PROFILE



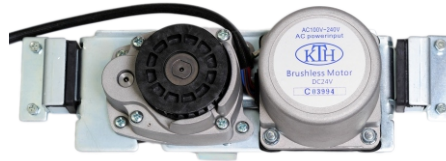
MEASURE : mm

| TYPE | A-2 |
|----------------------------------|----------------------------------|
| MODEL | STANDNARD: SINGLE-WINGED |
| DOOR WEIGHT | 200kg X1(door) |
| DOOR WIDTH | DW=500mm~3000mm |
| INSTALL WAY | Surface install |
| MOTOR | DC24V 120W BRUSHLESS DC MOTOR |
| CONTROL | STANDARD MICRO-CONTROLLER |
| POWER CONSUMPTION | 120w |
| VOLTAGE | AC100V~240V |
| ENVIRONMENTAL TEMPERATURE | -20°C~+50°C |
| VOLUME | 60 decibel(max.) |
| STARTING SPEED | 480mm /(second) |
| STARTING TIMES | 0~20 sec. (regulable) |
| TRANSMISSION IMPORTANT CONDITION | RACK BELT S8M |
| OPEN DOOR RANGE | FULL/HALF-OPEN (regulable) |
| PFC POWER EFFICIENCY | 0.95(AC100V/in AC100V Full load) |
| TRACTION FORCE | 3.5 kg |

COMPONENTS



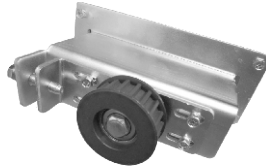
MICRO-CONTROLLER



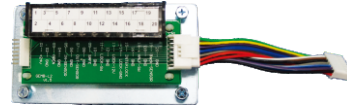
BRUSHLESS DC MOTOR



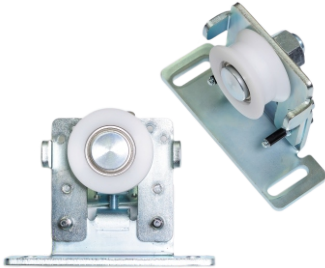
POWER SWITCH



BELT ROLLER



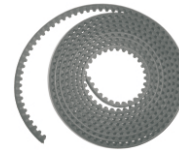
COMBINED TERMINAL BLOCK



HANGING WHEEL-2 PCS



SENSORS (OPTIONAL DEVICE)



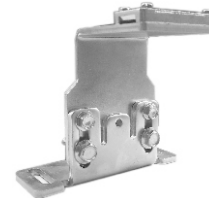
RACK BELT



HANGING BRACE-3 PCS



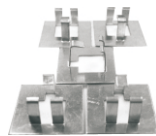
STOPPER -1 PCS (IN PROFILE)



ACTIVE BRACE



BLOCK SCREW-4 PCS



WIRE CLAMP-5 PCS

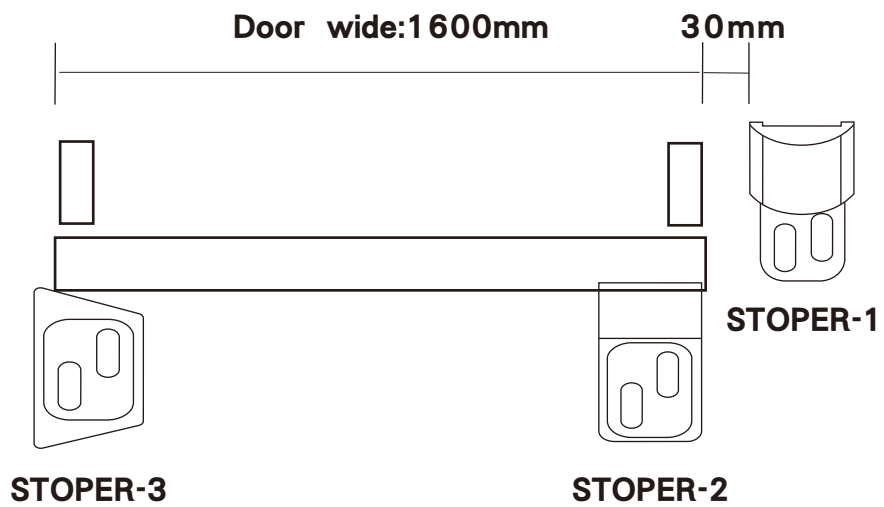
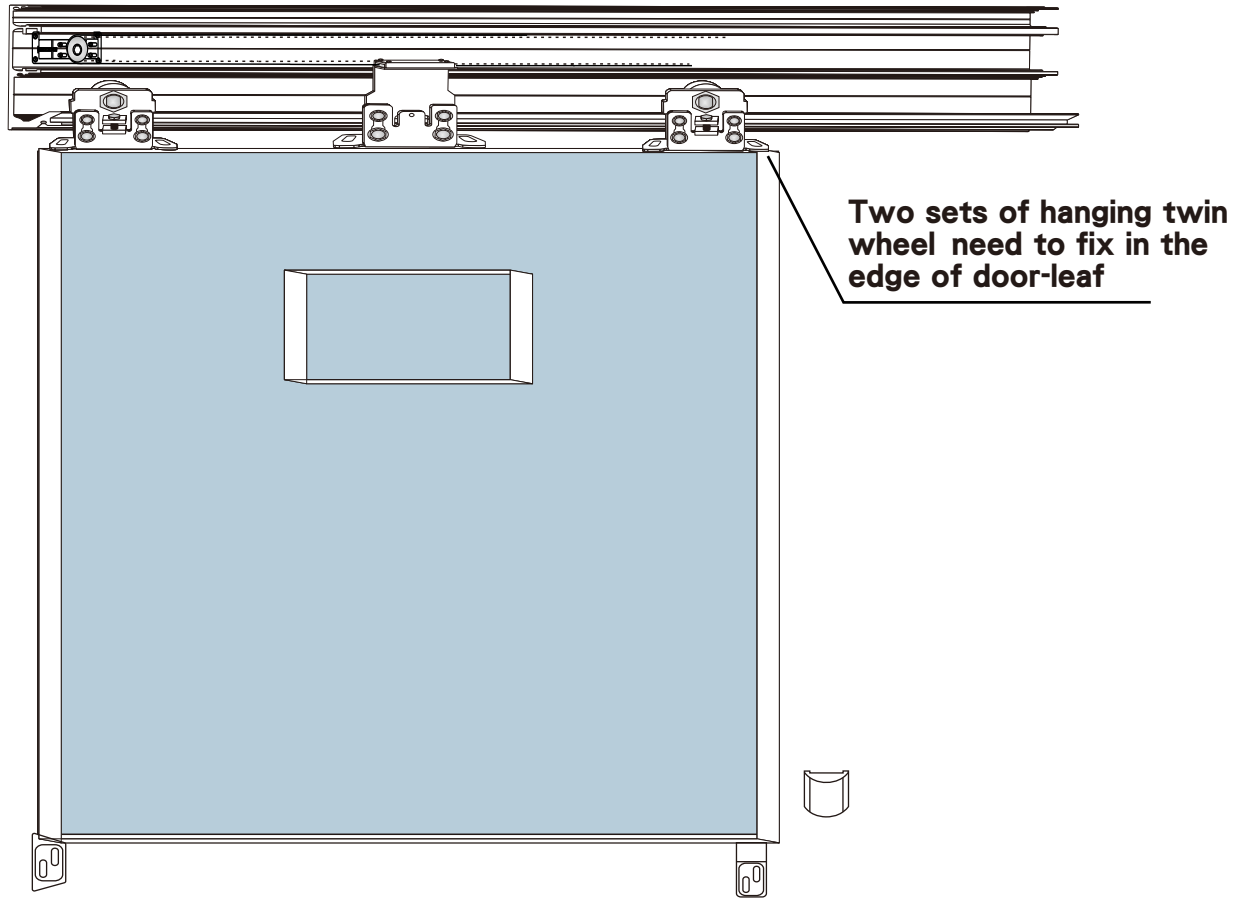


GROUND HOLDER-3PCS



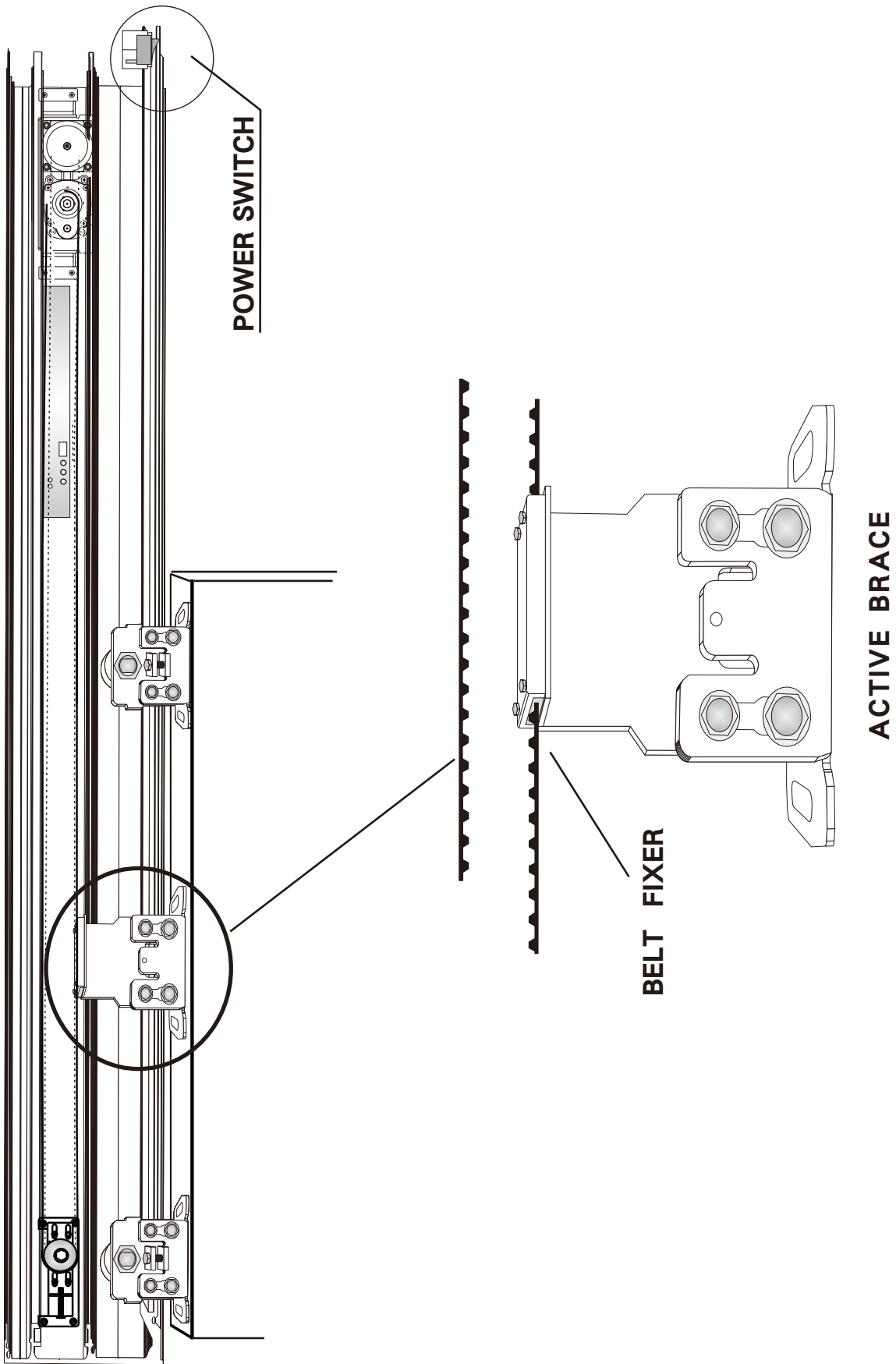
DOOR SCREW-6 PCS

THE POSITION OF THE HANGING TWIN-WHEEL



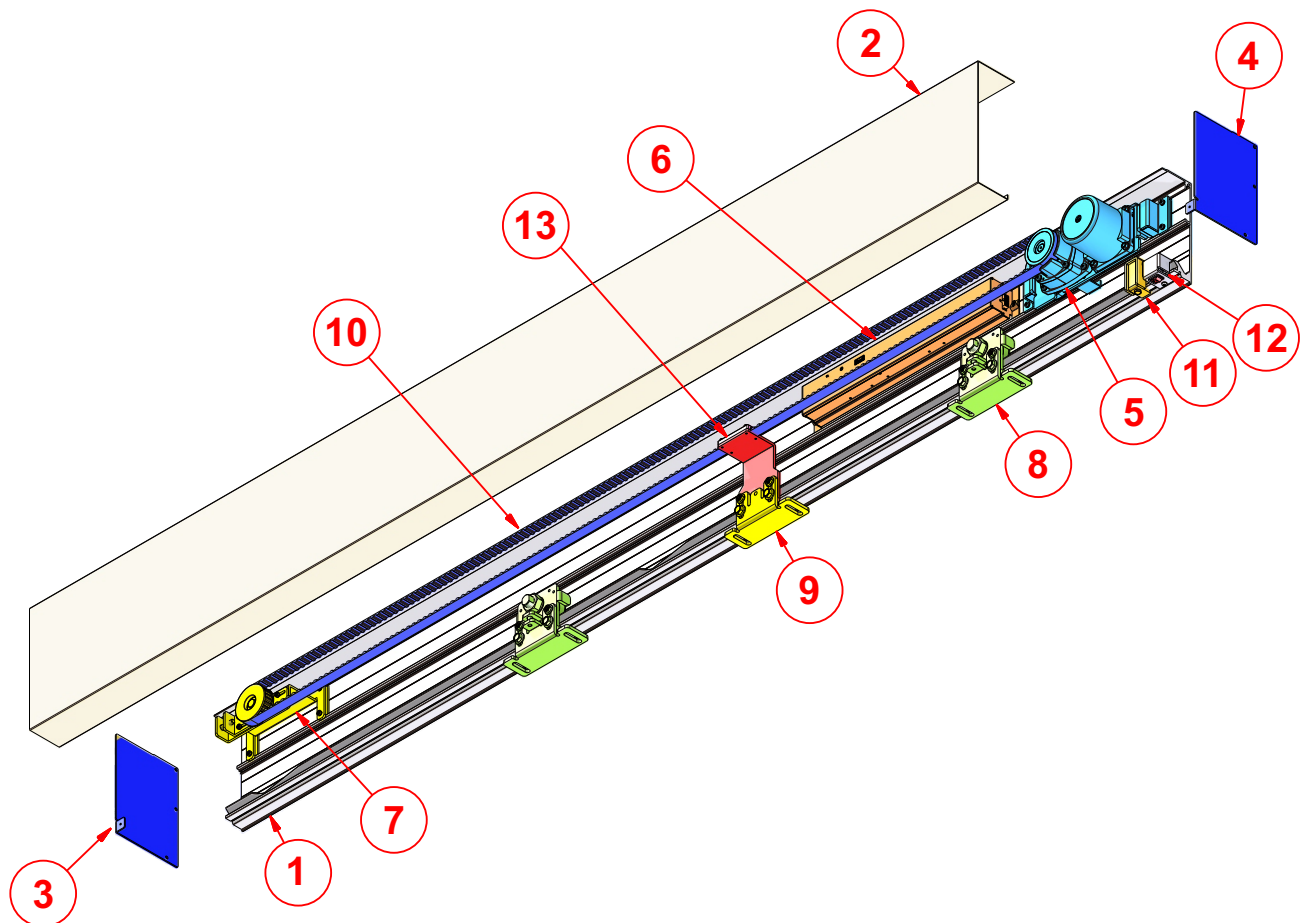
MEASURE : mm

■ INSTALL THE RACK BELT



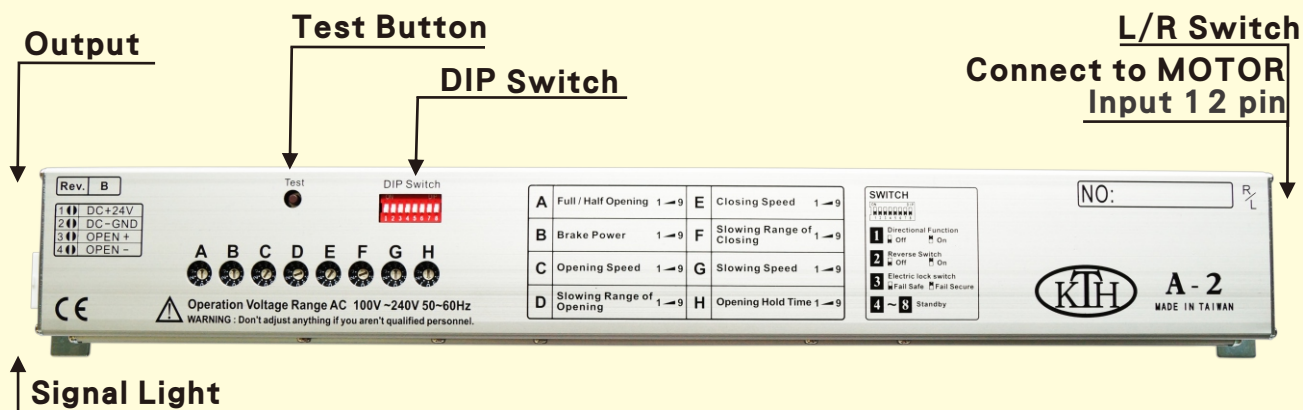
LEGEND OF PART DRAWING

| Parts List | | |
|------------|-----------------------------|----------|
| No. | Parts Name | Quantity |
| 1 | "Standard" aluminum profile | 1 |
| 2 | "Standard" aluminum cover | 1 |
| 3 | Left side end cap | 1 |
| 4 | Right side end cap | 1 |
| 5 | Motor | 1 |
| 6 | Controller | 1 |
| 7 | Belt roller | 1 |
| 8 | Hanging-wheel | 2 |
| 9 | Active brace | 1 |
| 10 | Rack belt | 1 |
| 11 | Stopper | 1 |
| 12 | Power switch | 1 |
| 13 | Belt fixer | 1 |



TEST AND ADJUST

The FACEPLATE of MICRO-CONTROLLER



Red LED-Power is connected.

Green LED-Input the open door signal.

L/R switch-The direction of the door opening: right/left(R/L).

DIP Switch- Pin 1 - Directional Function

Operation $\left\{ \begin{array}{l} \text{OFF: Normal mode.} \\ \text{ON: push once, open the door. Push again, close the door.} \end{array} \right.$

DIP Switch- Pin 2- Reverse Switch: in order to control opening and closing direction of the Door-Leaf after power resumes.

Operation $\left\{ \begin{array}{l} \text{OFF: Normal mode, after power resumes, the Door-Leaf opens the door first.} \\ \text{ON: suitable for Security System, after power resumes, the Door-Leaf closes the door first.} \end{array} \right.$

DIP Switch- Pin 3 - Electric lock switch

Fail Safe Fail Secure

DIP Switch- Pin 4 ~ 8 - Standby

ADJUST CONTROLLER



A Full/Half opening

Adjust the RANGE of the HALF OPEN DISTANCE.
Higher number, wider range.



B Brake power

The Door-Leaf is slight, the BRAKE POWER is less.
Please choose 0~2 if the Door-Leaf is under 50kg.
Please adjust number from number 5 if the Door-Leaf is over 80kg.



C The opening speed of the door

Adjust the OPEN SPEED
Higher number, faster speed.
CAUTION: please adjust the number one by one from low to high.



D The slowing range of opening door

Adjust the SLOW RANGE of OPENING DOOR
Higher number, more range about the slow range at open door position.
CAUTION: please adjust the number one by one from high to low.



E The closing speed of the door

Adjust the CLOSED SPEED
Higher number, faster speed.
CAUTION: please adjust the number one by one from low to high.



F The slowing range of closing door

Adjust the SLOW RANGE of CLOSED DOOR
Higher number, more range about the slow range at open door position.
CAUTION: please adjust the number one by one from high to low.



G The slowing speed of the door

Adjust the SLOW SPEED
Higher number, faster speed.
CAUTION: please adjust the number one by one from low to high.



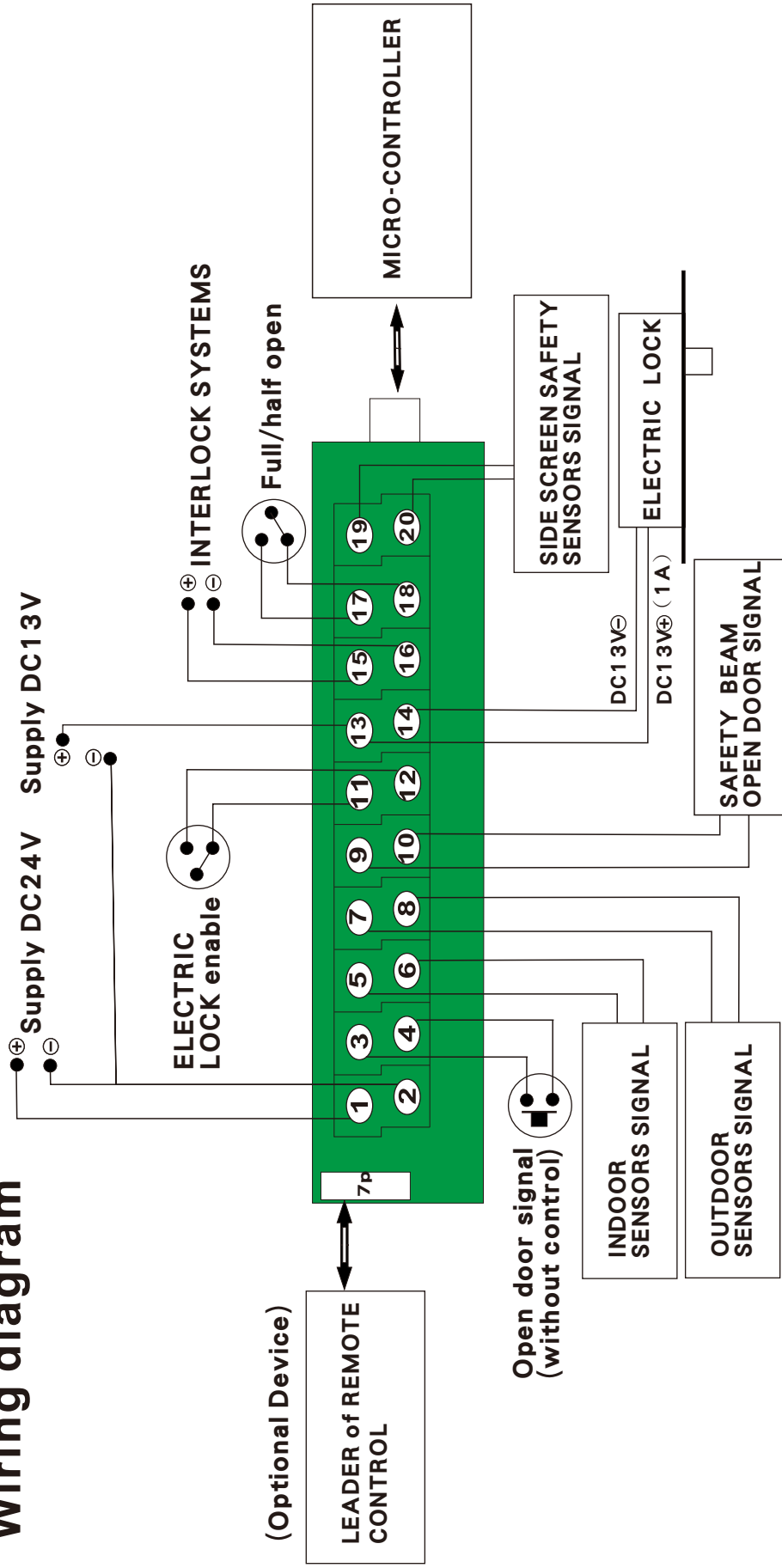
H Opening hold time

Adjust the HOLD OPEN TIME
Higher number, the hold time is longer.

| | | | | | | | | | | |
|--------|---|---|---|---|---|---|---|----|----|----|
| NUMBER | 0 | 1 | 2 | 3 | 4 | 5 | 6 | 7 | 8 | 9 |
| SECOND | 0 | 1 | 2 | 3 | 4 | 5 | 6 | 10 | 15 | 20 |

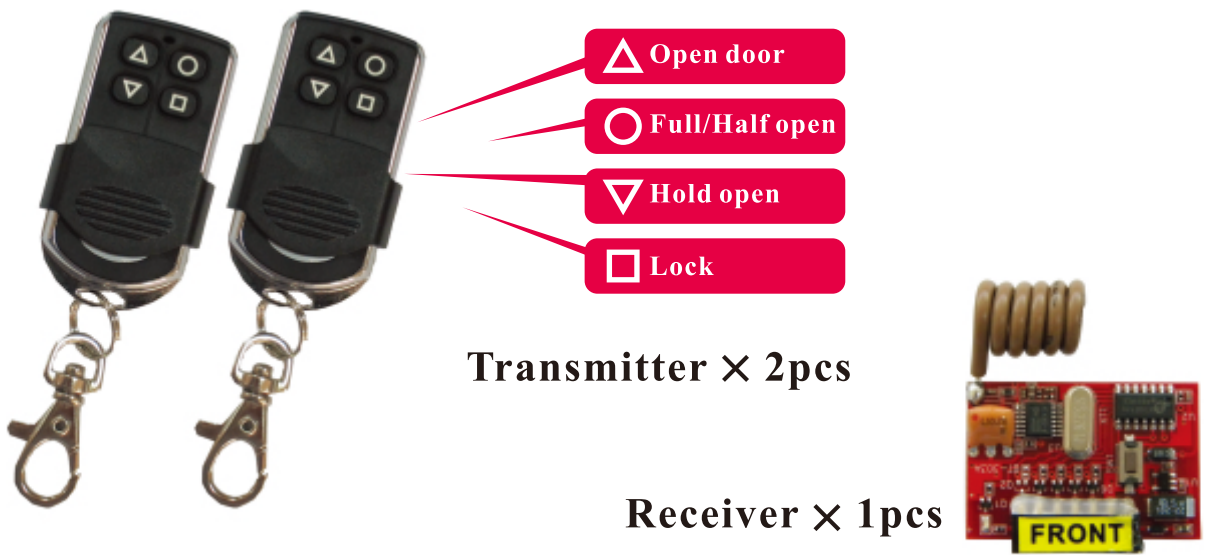
WIRING DIAGRAM OF TH-100(STANDARD)

Wiring diagram



■ TH-125 (NEW)-REMOTE CONTROL

1. Transmitter is 20 bit digital code that is much safety and use fix-frequency component to transmit signal. The frequency of transmitter won't be affected by battery consumption and outside environment.
2. Wireless receiver use super-heterodyne from U.S.A..
The receiver is stably, anti-interference, no extra-wave.
3. Control unit is 8 bit single chip. The order is accurate and action is correct.



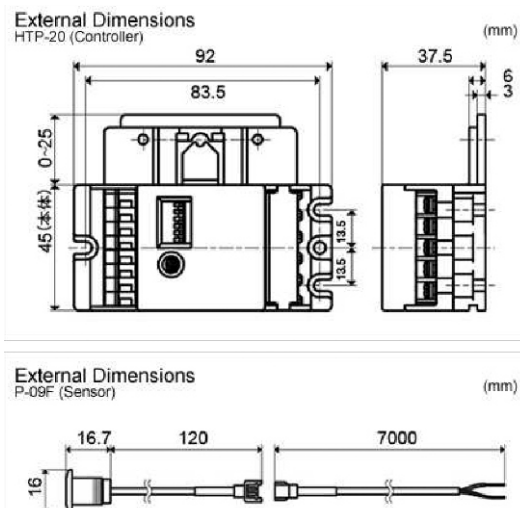
■ TH-136-MULTIFUNCTION DIGITAL SWITCH

1. Particular Memory Mode according different sessions to work.
2. Safety Alarm by itself to avoid danger happening.
3. Optional Language for easier operate in your location
4. Date and Time setting
5. Easy to install and program.
6. Beautiful and clear LCD panel
7. With buttons lock-on function

| | |
|-------------|-----------------------|
| VOLUME | 124.5X80X38.5(mm) |
| NET WEIGHT | 0.46kg |
| ACCESSORIES | One piece of 5M cable |



■ HTP-21C-SAFETY BEAM(HOTRON)



1. Beam sensor consisting of a controller and a single or dual set of infrared beams.
2. No need to use tools for wiring connection with compact controller.
3. Available to select penetration set-up or direct reflection set-up by setting switch.
4. Blink (under penetration setting), ON or OFF of LED tells you about the most suitable setting of volume adjustment by microcomputer control.

■ HR942D-INFRARED RAY SENSOR



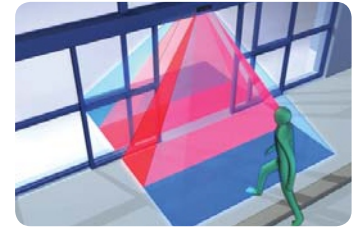
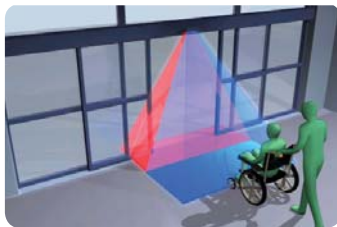
1. The sensor body can be angled at up to 10° to ensure timely detection of fast moving traffic.
2. Presence timer settings adjustable to 2, 15 60 and 180 seconds.
3. The sensor microprocessor automatically takes countermeasures against adverse conditions such as falling snow and strong sunrays and electrical noise.
4. Quick installation and easy to adjust.
5. Active area is very specific with high degree of adjustment flexibility.
6. 12-24V AC-DC operations, Normal Open relay.
7. Simple design to suit with every Automatic Door.

■ HR100-CT-ACTIVATION+MONITORED SAFETY(HOTRON)

Advanced Unidirectional Detection Sensor with Monitored Safety and Unique "Door Learn" Ability



Pioneering super sensor offers pedestrian door activation and unprecedented safety at mounting heights of up to 3m



- **Energy Efficient**

Intelligent unidirectional detection ability reduces door hold open time by 20% and building energy loss by 6% in a standard installation.

- **Unparalleled Pedestrian Safety**

Unique ability to memorize door motion allows the infrared safety unparalleled pedestrian safety.

- **Versatile**

Flexibility to adjust the door activation and pedestrian safety detection zones independently makes the HR100-CT the ideal sensor for every sliding door installation

- **Ease of Installation**

All the information necessary to install the HR100-CT sensor is printed on the sensor body

■ HR94D1-C1- MONITORED SAFETY(HOTRON)

Monitored Sliding Door Side Screen or Door Threshold
Pedestrian Safety Sensor.



ACCESSORY FOR EN16005 OPERATORS



Versatile and simple to set up, the HR94D1-C1 protects pedestrians from the dangers of both opening and closing sliding doors at mounting heights of up to 3m

- **Sliding Door Side Screen Pedestrian Safety**

Protect pedestrians from the dangerous leading door edge during door open cycles with a dense curtain of infrared safety

- **Door Threshold Pedestrian Safety**

Safeguard pedestrians from hazardous door closures due to a shallow but wide infrared safety curtain that is monitored once per door cycle

- **Solid & Reliable**

Avoid the risk of loss or damage to individual sensor parts through a one piece sensor body construction

- **Simple to Install**

Install with ease without the need for a remote control thanks to comprehensive instructions printed on the sensor body