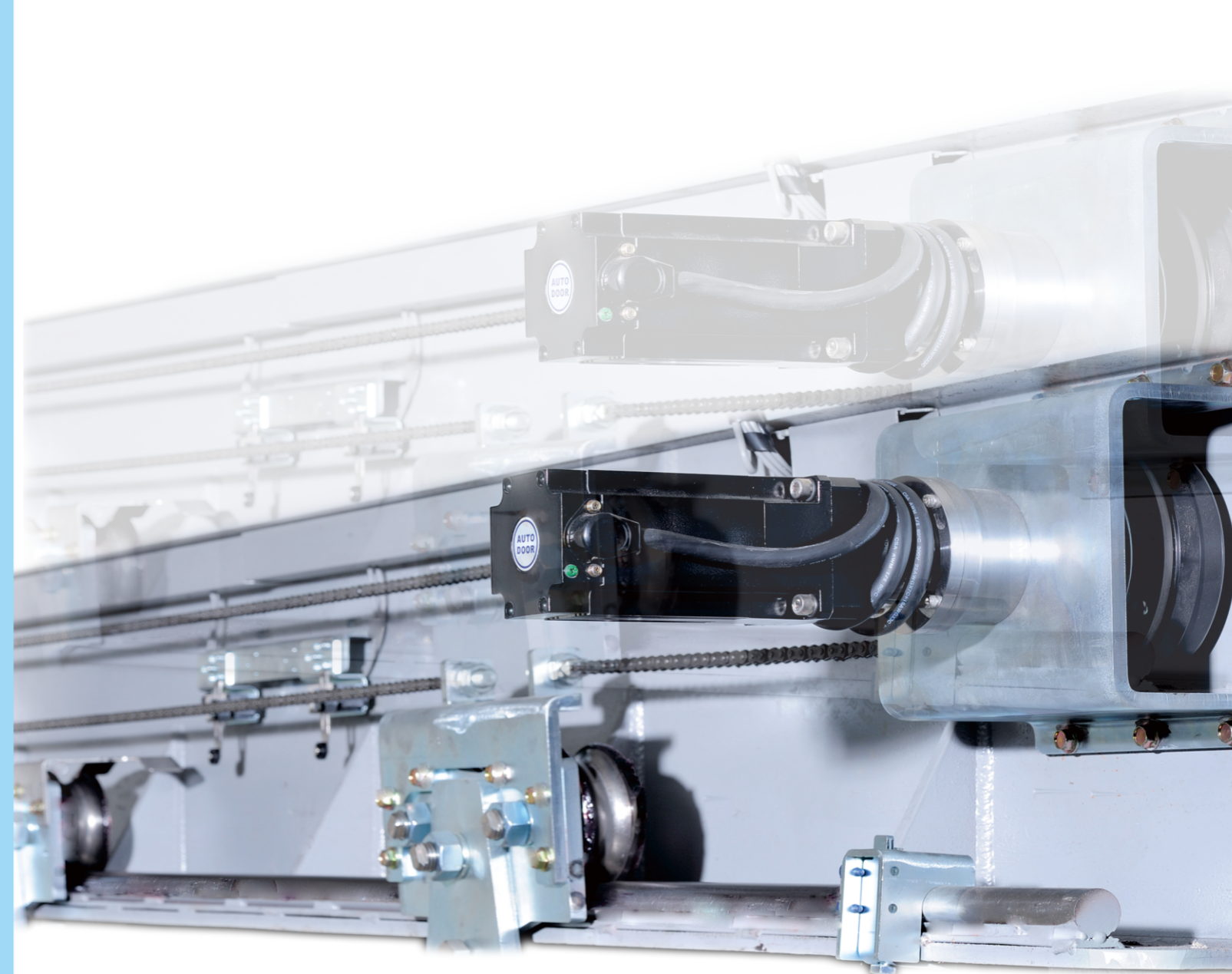


**KTH KING TA HAN TECHNOLOGY CO. LTD.**  
 Location: Kaohsiung, Taiwan  
 Global Website: <http://www.kth-automaticdoor.com>  
 E-mail address: [export@kthtw.com](mailto:export@kthtw.com)  
[kth@kthtw.com](mailto:kth@kthtw.com)



**KTH S-80**

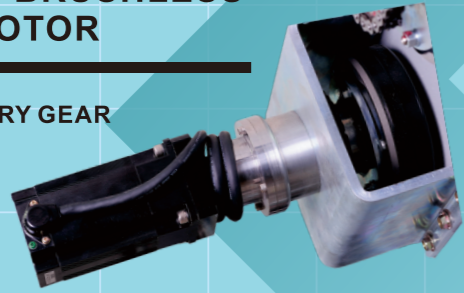
**SUPER HEAVY DOOR**  
*AUTOMATIC DOOR SYSTEM SERIES*



# KTH S-80 SUPER HEAVY DOOR

## DC320V 250W BRUSHLESS DC MOTOR

- PLANETARY GEAR



## DURABLE HANGING TWIN WHEEL

- STABLE AND DURABLE HANGER
- QUIET



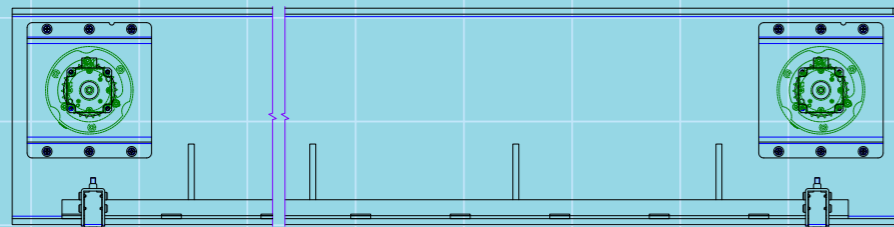
## CONTROL SYSTEM

## CONTROL SYSTEM



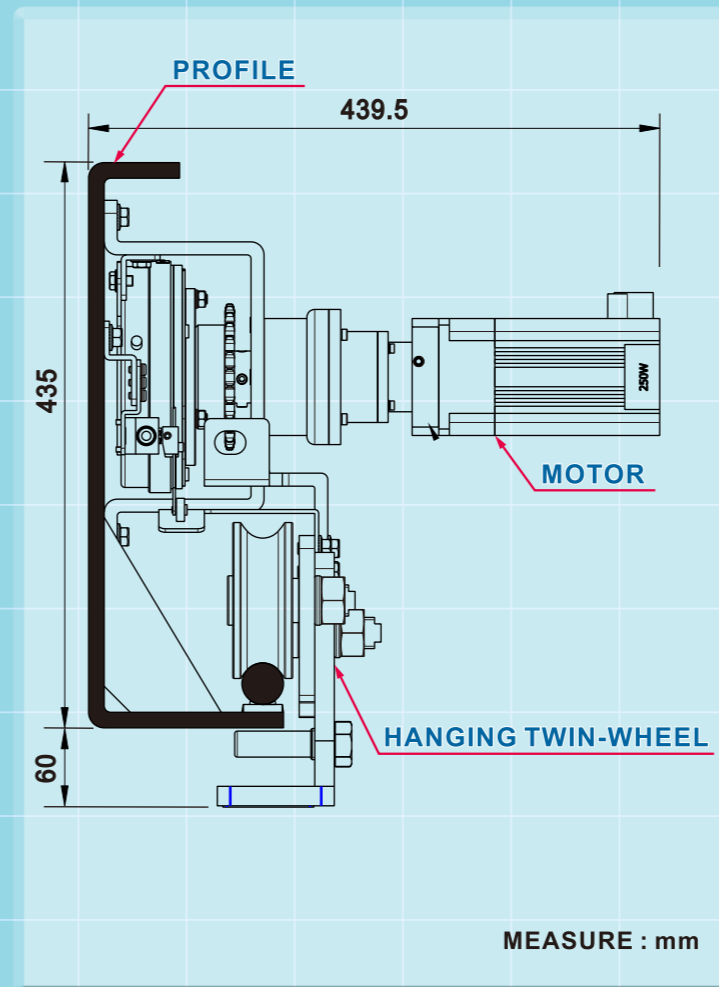
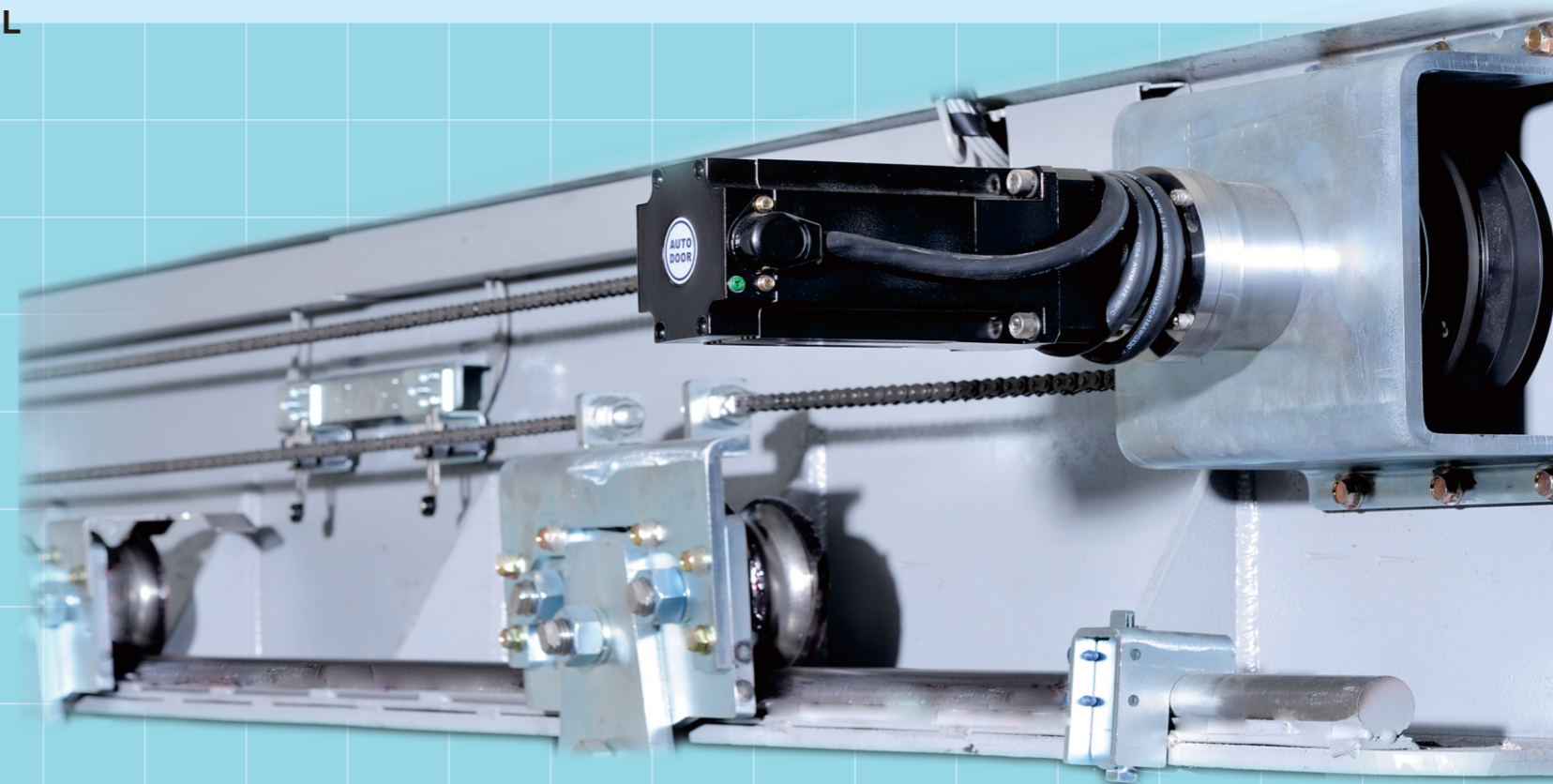
## SPARE SYSTEM

## MAIN SYSTEM



## Our Operator's Features

- ★ Install in the big factories, airports, hospitals of radiation prevention door and many other large doors applications.
- ★ Second System - Equipped with the spare motor and control box to support when the main system is faulty.
- ★ Safety Function - Push "Emergency stop switch", Door will stop immediately at any position.



TYPE	S-80/S-81	
MODEL	SINGLE-WINGED	BI-PARTING
DOOR WEIGHT	5000kg X1(DOOR)	4000kg X2(DOOR)
DOOR WIDTH	1M~6M	1M~6M
PROFILE TYPE	L-TYPE STEEL/SINGLE TRACK	
MOTOR	DC320V 250W BRUSHLESS DC MOTOR (PLANETARY GEAR)	
TRANSMISSION DEVICE	ELECTROMAGNETIC BEARING-MOUNTED CLUTCH	
CONTROL	STANDARD MICRO-CONTROL	
POWER CONSUMPTION	250W	
VOLTAGE	AC220V	
ENVIRONMENTAL TEMPERATURE	-20°C~+50°C	
VOLUME	65 DECIBEL(MAX.)	
STARTING SPEED	250mm/SEC.	230mm/SEC.
STARTING TIMES	0~20 SEC. (REGULABLE)	
TRANSMISSION IMPORTANT CONDITION	ROLLER CHAIN 40-1R	
OPENING DOOR RANGE	FULL/HALF-OPEN (REGULABLE)	
MATERIAL of HANGER	STAINLESS 304	
BEARING	ROLLER BEARING	
SECOND SYSTEM	NONE/INCLUDING	