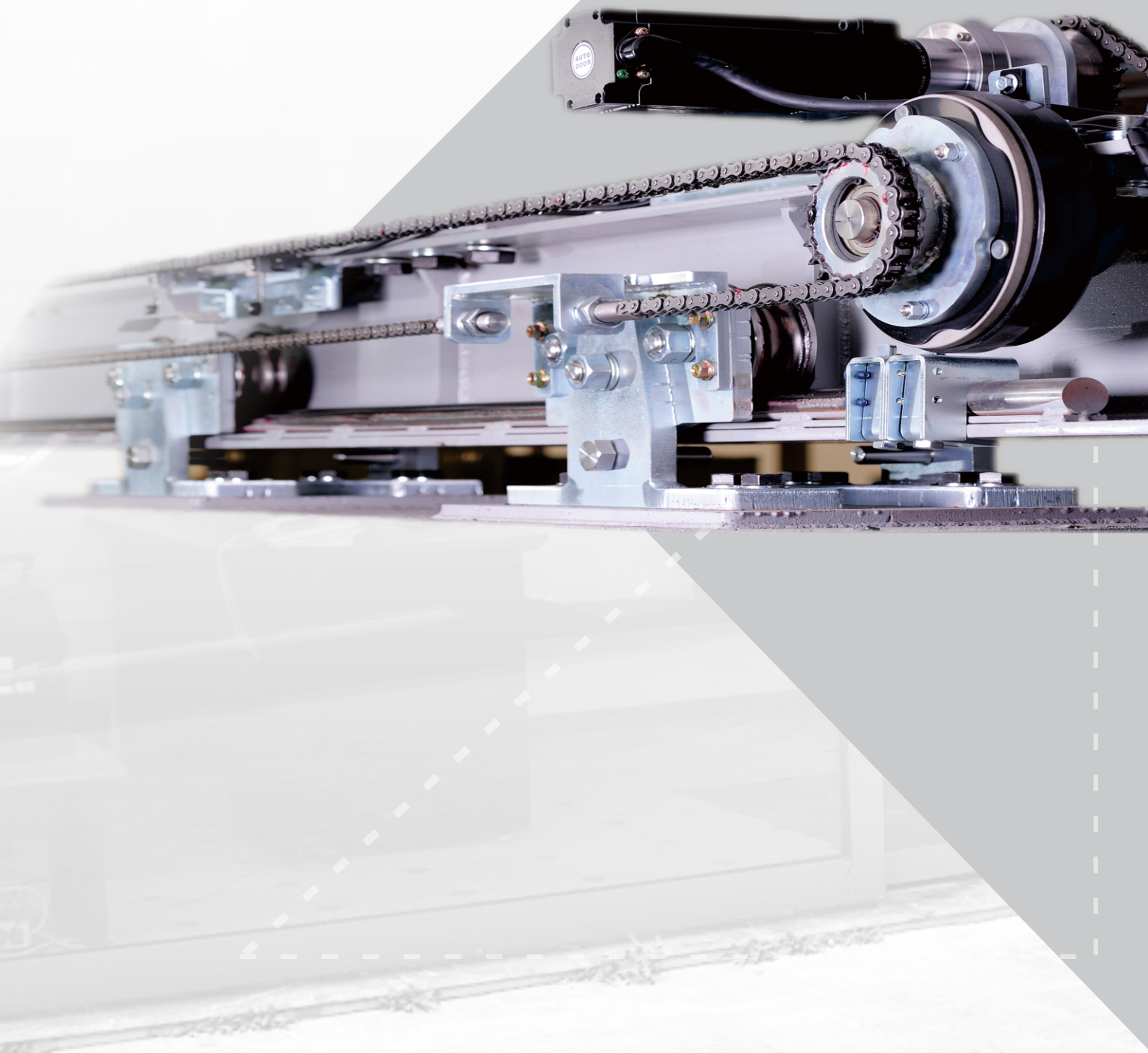


 **KTH S-160**  
**AUTOMATIC DOOR SYSTEM**



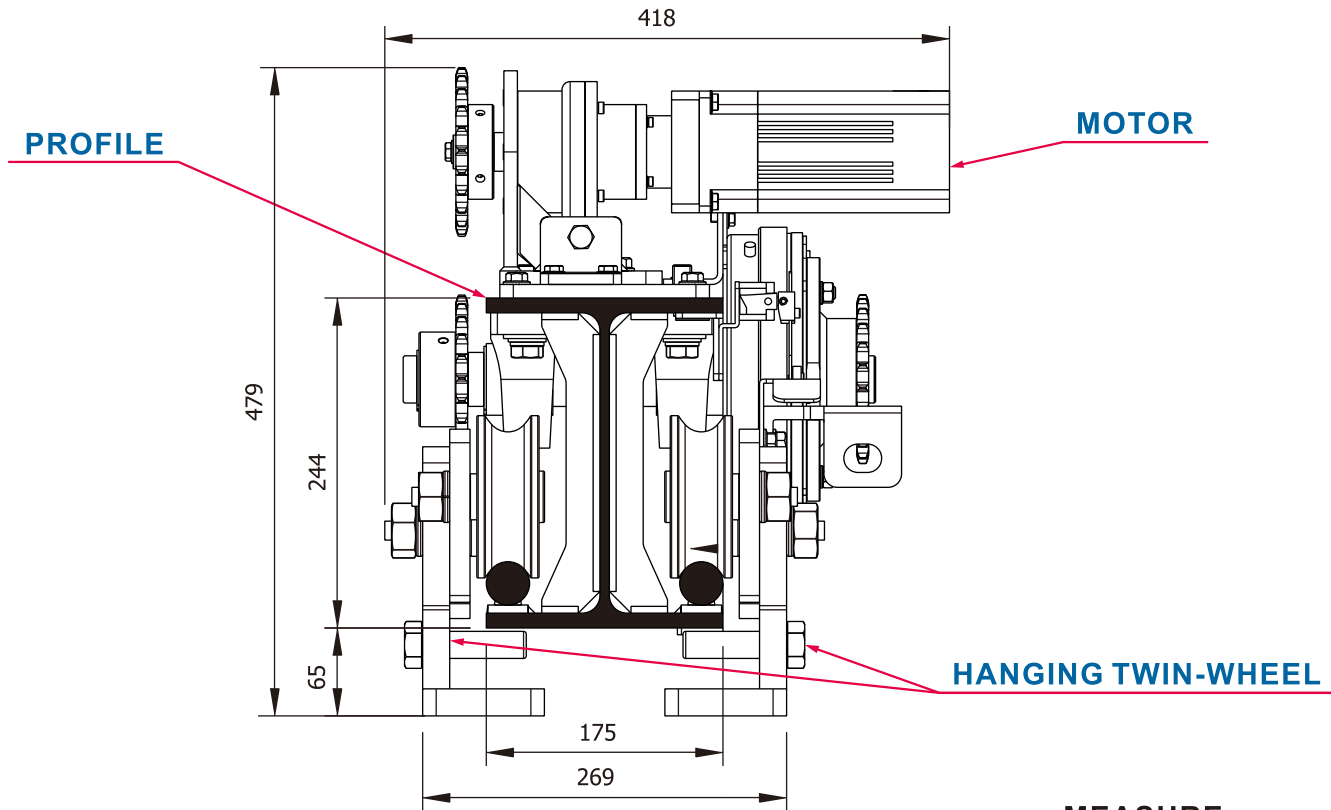
---

# ■ TABLE OF CONTENTS

---

1.SPECIFICATION&PROFILE .....	1
2.COMPONENTS .....	2

## ■ SPECIFICATION & PROFILE



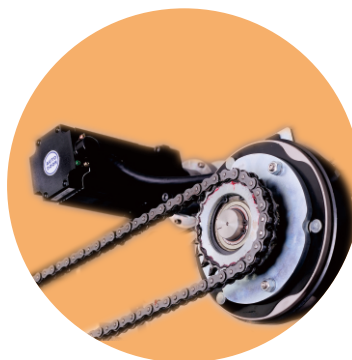
MEASURE : mm

TYPE	S-160/S-161	
MODEL	SINGLE-WINGED	BI-PARTING
DOOR WEIGHT	10000kg X1(DOOR)	8000kg X2(DOOR)
DOOR WIDTH	1M~6M	1M~6M
PROFILE TYPE	H-TYPE STEEL/SINGLE TRACK	
MOTOR	DC320V 370W BRUSHLESS DC MOTOR (PLANETARY GEAR)	
TRANSMISSION DEVICE	ELECTROMAGNETIC BEARING-MOUNTED CLUTCH	
CONTROL	STANDARD MICRO-CONTROL	
POWER CONSUMPTION	370W	
VOLTAGE	AC220V	
ENVIRONMENTAL TEMPERATURE	-20°C~+50°C	
VOLUME	65 DECIBEL(MAX.)	
STARTING SPEED	230mm/SEC.	200mm/SEC.
STARTING TIMES	0~20 SEC. (REGULABLE)	
TRANSMISSION IMPORTANT CONDITION	ROLLER CHAIN 50-1R	
OPENING DOOR RANGE	FULL/HALF-OPEN (REGULABLE)	
MATERIAL of HANGER	STAINLESS 304	
BEARING	ROLLER BEARING	
SECOND SYSTEM	NONE/INCLUDING	

## COMPONENTS



**DURABLE HANGING  
TWIN WHEEL**



**DC320V 370W BRUSHLESS  
DC MOTOR(PLANETARY GEAR)**

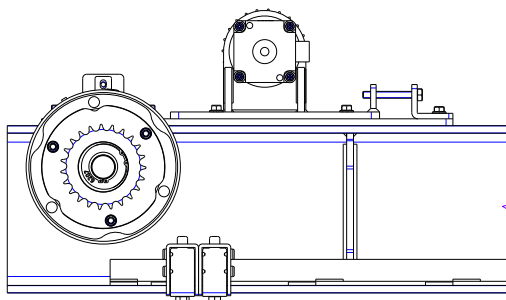


**CONTROL SYSTEM**



**CONTROL SYSTEM**

**SPARE SYSTEM**



**MAIN SYSTEM**

