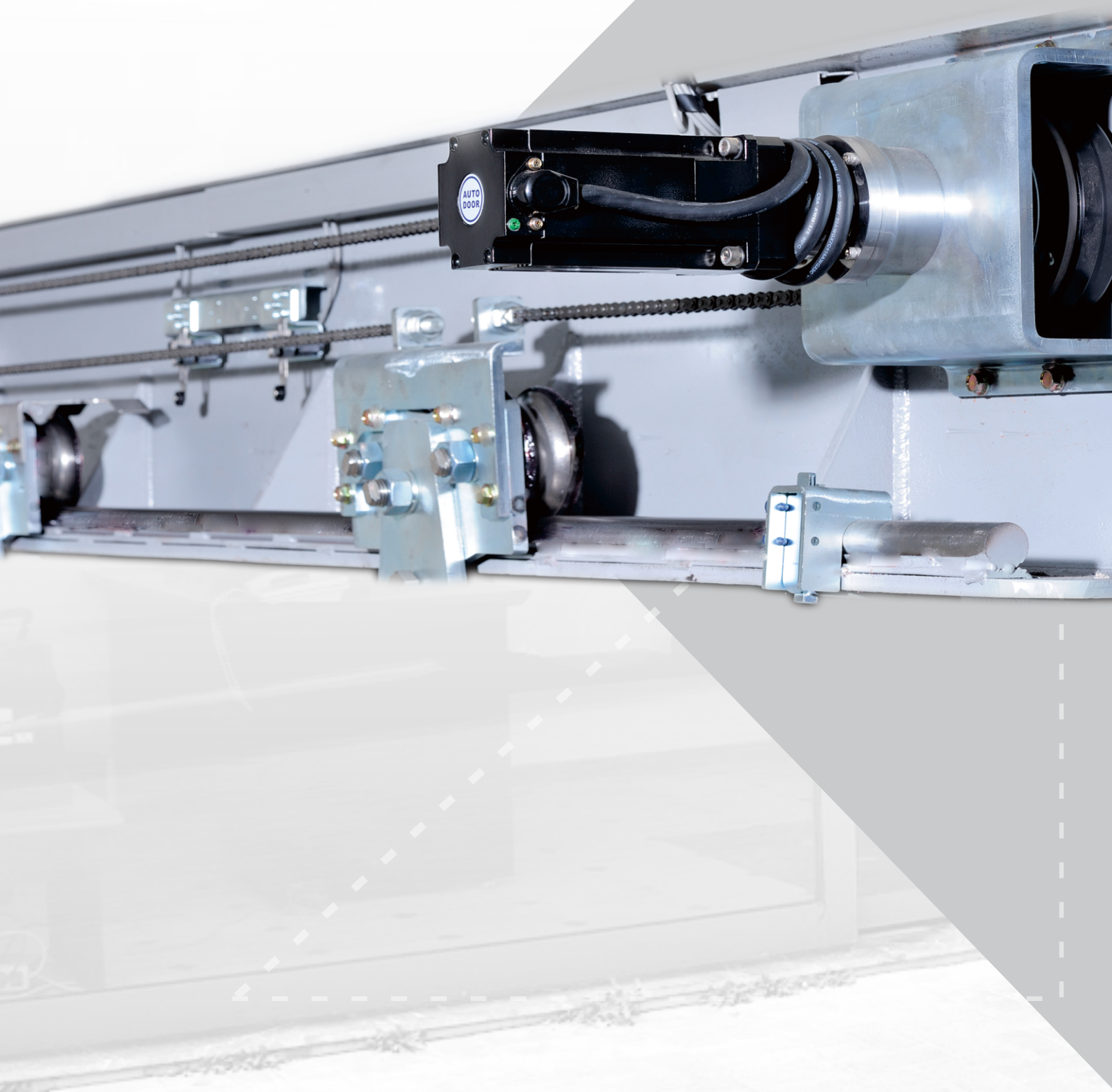


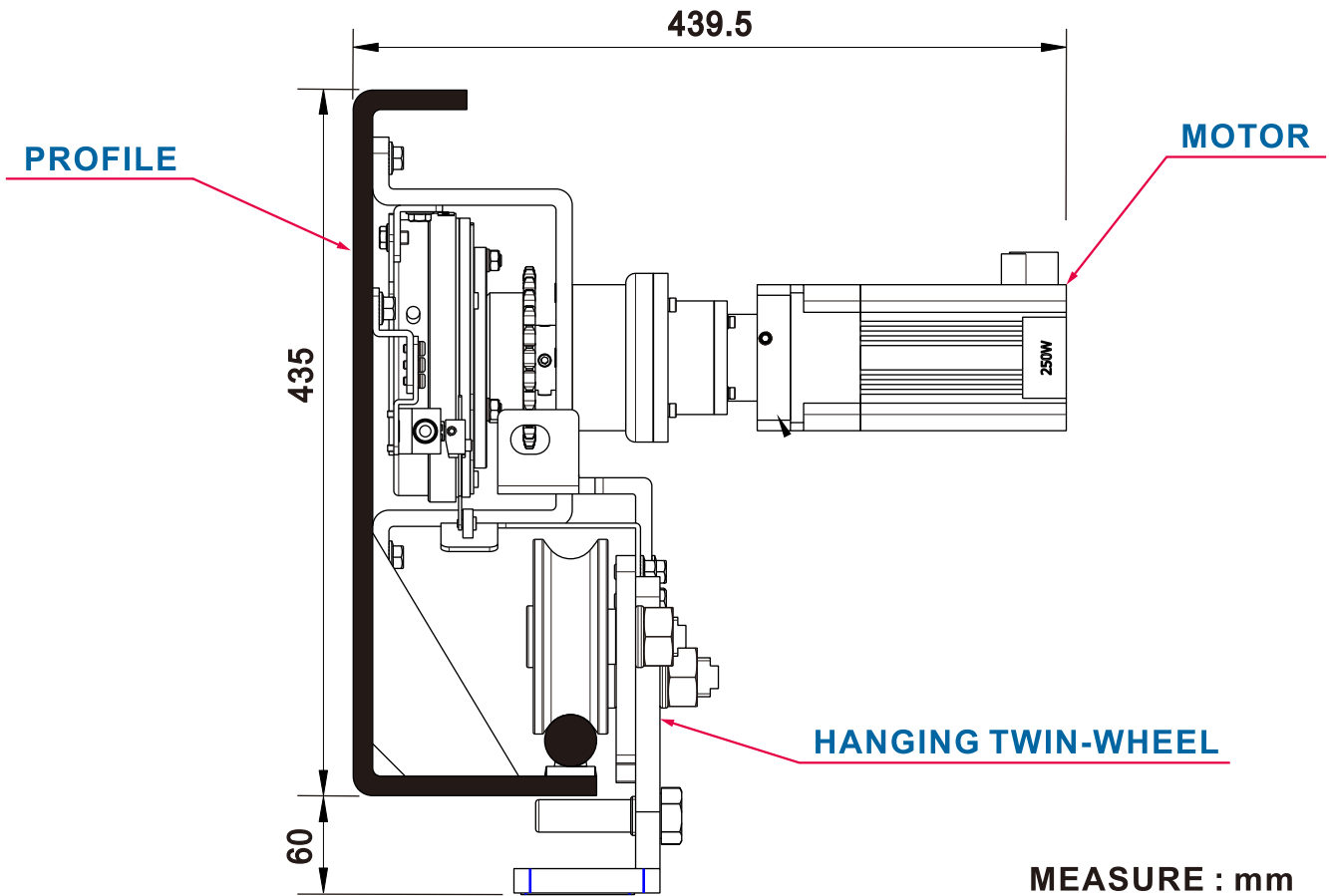
KTH S-80
AUTOMATIC DOOR SYSTEM



■ TABLE OF CONTENTS

1.SPECIFICATION&PROFILE	1
2.COMPONENTS	2

■ SPECIFICATION & PROFILE

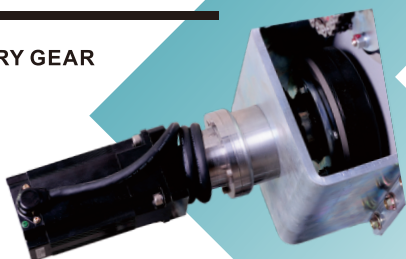


TYPE	S-80/S-81	
MODEL	SINGLE-WINGED	BI-PARTING
DOOR WEIGHT	5000kg X1(DOOR)	4000kg X2(DOOR)
DOOR WIDTH	1M~6M	1M~6M
PROFILE TYPE	L-TYPE STEEL/SINGLE TRACK	
MOTOR	DC320V 250W BRUSHLESS DC MOTOR (PLANETARY GEAR)	
TRANSMISSION DEVICE	ELECTROMAGNETIC BEARING-MOUNTED CLUTCH	
CONTROL	STANDARD MICRO-CONTROL	
POWER CONSUMPTION	250W	
VOLTAGE	AC220V	
ENVIRONMENTAL TEMPERATURE	-20°C~+50°C	
VOLUME	65 DECIBEL(MAX.)	
STARTING SPEED	250mm/SEC.	230mm/SEC.
STARTING TIMES	0~20 SEC. (REGULABLE)	
TRANSMISSION IMPORTANT CONDITION	ROLLER CHAIN 40-1R	
OPENING DOOR RANGE	FULL/HALF-OPEN (REGULABLE)	
MATERIAL of HANGER	STAINLESS 304	
BEARING	ROLLER BEARING	
SECOND SYSTEM	NONE/INCLUDING	

COMPONENTS

DC320V 250W BRUSHLESS DC MOTOR

- PLANETARY GEAR



DURABLE HANGING TWIN WHEEL

- STABLE AND DURABLE HANGER
- QUIET

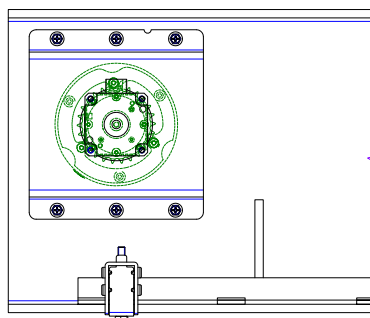


CONTROL SYSTEM

CONTROL SYSTEM



SPARE SYSTEM



MAIN SYSTEM

