



FUNCTION KEY SWITCH

DESCRIPTION

Entrance Guide of Automatic Door Operator.

FEATURES

1. It's suitable any Door Operator of KTH.
2. Easy to install and adjust.

SPECIFICATION

Six press functions

- | | |
|---------------|----------------|
| 1. DOOR OPEN | 2. IN ONE-WAY |
| 3. AUTO | 4. OUT ONE-WAY |
| 5. DOOR CLOSE | 6. FULL/HALF |

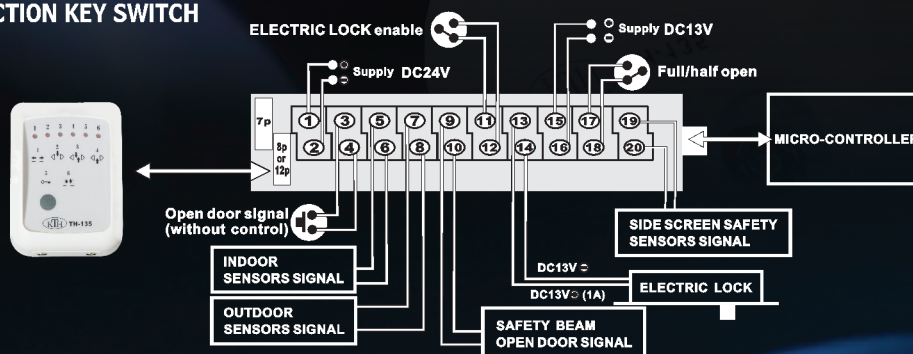
VOLUME	92×66×28.6(mm)
NET WEIGHT	0.22 kg

TH-135



ILLUSTRATIONS OF WIRING DIAGRAM

FUNCTION KEY SWITCH



TH-135 is required using with COMBINED TERMINAL BLOCK.

KTH KING TA HAN TECHNOLOGY CO., LTD.